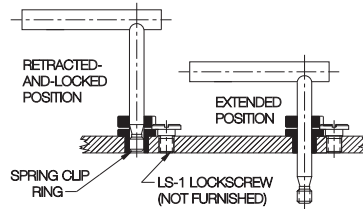


LOCKING T PINS

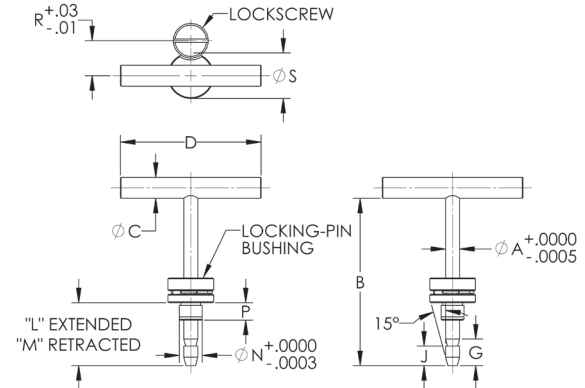
PIN: 1215 STEEL, CARBURIZED-HARDENED, BLACK OXIDE FINISH
 HANDLE: 1215 STEEL, BLACK OXIDE FINISH
 BUSHING: 8620 STEEL, CASE HARDENED, BLACK OXIDE FINISH

1



Similar to a standard T Pin, except that the pin body is positively retained in a locking bushing. In fully retracted position, the bushing's spring clip snaps into the pin's radial groove. This holds the pin fully retracted by spring force and positively prevents removal. Spring pressure also holds the pin in intermediate extended positions, an advantage especially if the fixture is turned upside down. Available in pin diameters from 3/16 to 1/2" (6 to 12mm in metric), most in a choice of several pin lengths.

Locking-Pin Bushings are designed to press fit in a standard reamed hole. Secure with the included Lockscrew to positively hold the bushing in place. Shorter or longer bushings are available in most sizes, for thinner or thicker plates.



COMPLETE ASSEMBLY (INCH)

PART NO.	A DIA		B PIN LENGTH	P BUSHING LENGTH UNDER HEAD		C DIA	D	G	J	L	M	N DIA		R	S	T PIN (INCLUDED)	BUSHING (INCLUDED)	LOCKSCREW (INCLUDED)												
	NOMINAL	ACTUAL		NOMINAL	ACTUAL																									
CL-1A-LTP-B	3/16	.1865	1-1/2	Standard	.31	5/16	2-1/2	.47	.35	1	.20	13/16	.4078	.62	13/16	CL-1A-LTP	CL-3-LPB	LS-1												
CL-1-LTP-B			3	Standard	.31					2-1/2						CL-1-LTP	CL-3-LPB													
CL-38-LTP-B	1/4	.2490	2	Standard	.31	3/8	2-1/2	.47	.35	1-1/2	.20	13/16	.4078	.62	13/16	CL-38-LTP	CL-4-LPB	LS-1												
CL-38-LTP-B-2				Long	.50					CL-4-LPB																				
CL-5-LTP-B			3	Standard	.31					2-1/2						CL-5-LTP	CL-4-LPB													
CL-5-LTP-B-2				Long	.50					CL-4-LPB																				
CL-25-LTP-B	4	.2490	4	Standard	.31	5/8	3-1/2	.47	.35	3-1/2	.20	13/16	.4078	.62	13/16	CL-25-LTP	CL-4-LPB	LS-1												
CL-25-LTP-B-2				Long	.50					CL-4-LPB																				
CL-39-LTP-B-1				2	Standard					.31						1-1/2	CL-39-LTP		CL-5-LPB											
CL-39-LTP-B	Medium	.37	CL-5A-LPB																											
CL-39-LTP-B-3	Long	.50	CL-5B-LPB																											
CL-7-LTP-B-1	5/16	.3115	3-1/2	Standard	.31	5/8	3	.47	.35	3	.20	1/2	.5017	.62	13/16	CL-7-LTP	CL-5-LPB	LS-1												
CL-7-LTP-B				Medium	.37					CL-5A-LPB																				
CL-7-LTP-B-3				Long	.50					CL-5B-LPB																				
CL-8-LTP-B-1			6	Standard	.31					5-1/2						CL-8-LTP	CL-5-LPB													
CL-8-LTP-B				Medium	.37					CL-5A-LPB																				
CL-8-LTP-B-3				Long	.50					CL-5B-LPB																				
CL-40A-LTP-B-1	3/8	.3740	2	Standard	.31	5/8	3-1/2	.47	.35	1-1/2	.20	5/8	.6267	.62	13/16	CL-40A-LTP	CL-6-LPB	LS-1												
CL-40A-LTP-B				Long	.50					CL-6A-LPB																				
CL-9-LTP-B-1			4	Standard	.31					3-1/2						CL-9-LTP	CL-6-LPB													
CL-9-LTP-B				Long	.50					CL-6A-LPB																				
CL-10-LTP-B-1	6	.3740	6	Standard	.31	5/8	3-1/2	.47	.35	5-1/2	.20	3/4	.7518	.75	1-1/16	CL-10-LTP	CL-6-LPB	LS-1												
CL-10-LTP-B				Long	.50					CL-6A-LPB																				
CL-13A-LTP-B-1	1/2	.4990	2	Standard	.50	5/8	3-1/2	.47	.35	1-1/2	.20	3/4	.7518	.75	1-1/16	CL-13A-LTP	CL-8-LPB	LS-1												
CL-13A-LTP-B				Long	.75					CL-8A-LPB																				
CL-13-LTP-B-1			4	Standard	.50					3-1/2						CL-13-LTP	CL-8-LPB													
CL-13-LTP-B				Long	.75					CL-8A-LPB																				
CL-14-LTP-B-1			6	.4990	6					Standard						.50	5/8		3-1/2	.47	.35	5-1/2	.20	20mm	.7892	.709	1.02	CLM-12-LTP	CLM-12-LPB	LSM-3
CL-14-LTP-B										Long						.75						CLM-12-LTP						CLM-12-LPB		

COMPLETE ASSEMBLY (METRIC)

CLM-6-LTP-B	6mm	.2352	3	Standard	.31	3/8	2-1/2	.47	.35	2-1/2	.20	10mm	.3952	.630	.87	CLM-6-LTP	CLM-6-LPB	LSM-3
CLM-8-LTP-B	8mm	.3140	3	Standard	.39	7/16	3	.47	.35	2-1/2	.20	13mm	.5135	.630	.87	CLM-8-LTP	CLM-8-LPB	LSM-3
CLM-10-LTP-B	10mm	.3927	3	Standard	.47	1/2	3-1/2	.47	.35	2-1/2	.20	16mm	.6316	.630	.87	CLM-10-LTP	CLM-10-LPB	LSM-3
CLM-12-LTP-B	12mm	.4715	4	Standard	.71	5/8	3-1/2	.47	.35	3-1/2	.20	20mm	.7892	.709	1.02	CLM-12-LTP	CLM-12-LPB	LSM-3